

Saf-T-Liner®

**Thomas**  
BUILT BUSES

Because every mile matters.™

# EFX









# STUDY THIS SCHOOL BUS AND YOU'LL LEARN ALL ABOUT Efficiency



  
MANEUVER  
TIGHT TURNS

  
GREATER  
DRIVER COMFORT

  
TOOL-FREE  
ENGINE ACCESS

  
FUEL  
EFFICIENT



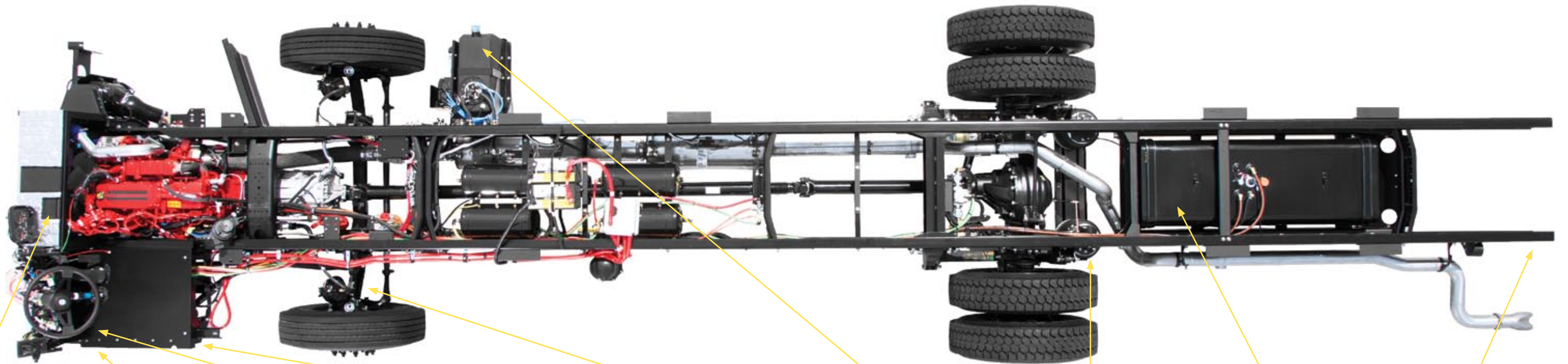
We've packed a lot into the Saf-T-Liner® EFX school bus. It can carry up to 90 passengers. It has the maneuverability you need for twisty, narrow roads. And the flat front with an expansive windshield offers incredible visibility, enhancing safety while driving and when loading children.

The cockpit is designed for driver comfort and safety. Seat placement is optimized for leg room. The left-side dash has ergonomic switch placement. Tool-free engine access makes the engine easier to service and to perform a CDL belt check, while also providing a wider loading aisle. The engine cover is insulated for a quieter ride. There's even a driver storage box. So, if you want comfort and efficiency, the sleek, versatile EFX is an ideal choice.





MANEUVERABILITY. EFFICIENCY. AND THE POWER OF A CUMMINS ISB DIESEL ENGINE WITH UP TO 260 HORSEPOWER.



Easy access to power steering reservoir, wiper motors, and washer fluid for easier serviceability

Consolidated chassis electrical components in easily-accessible side panel

Available tilt/telescoping steering wheel for greater driver comfort

Modular electrical system provides durability, reliability and simplified troubleshooting

Industry-leading wheel cut for greater maneuverability

SCR aftertreatment system includes diesel particulate filter, catalyst and DEF tank, to reduce emissions and help improve fuel economy

Available with standard rear spring or optional air ride suspension

60-gallon BTR fuel tank for better weight distribution (100-gallon optional)

10" x 3.5" x .25" frame rails





Routine maintenance is easy on the EFX. The front access panel provides quick access to wipers, as well as the heater core and filter. And the design helps reduce noise inside the cabin.

**FRONT ACCESS PANEL**



We've designed the cockpit to provide superior ergonomics and ease of operation. Switches are grouped and placed forward of the centerline of the driver's window. Heater and radio controls also are within reach.

**ERGONOMIC SWITCH PLACEMENT**



**STORAGE**

We've added extra storage next to the dash for driver's personal items or emergency equipment conveniently located within easy reach of the driver.



**INTERACTIVE GAUGE FEATURES**

Accompanying the full suite of gauges (fuel, DEF, speed, temp, RPM and more) is an interactive LCD window display featuring a diagnostic menu that includes fuel economy measurements. The display makes it easy for the driver and maintenance crew to review bus performance.



This is another great feature for easy maintenance and service. The convenient access plus clear identification of components simplifies troubleshooting. We've also made the fuse relay centers waterproof and dust-proof to improve reliability.

**MODULAR ELECTRICAL SYSTEM**

**COCKPIT**

It's important to keep drivers comfortable and safe. The cockpit is designed for all drivers. We've optimized the seat location, enhancing leg room and overall driver space.



**CHASSIS ELECTRICAL**

Mechanics can easily access the chassis electrical system through a panel in the lower skirt. This separate compartment also provides protection for these important electronics.

**ENGINE COVER**

The innovative design of the engine cover benefits the driver and passengers as well as mechanics. The loading aisle is 12.5% wider, and the cover's insulation provides a quieter ride. The tool-free access to the engine makes maintenance quicker. And with separate doors for the fluid check and CDL-required belt check, there's no need to remove the entire cover.





### THE THOMAS ADVANTAGE

Founded in 1916, Thomas Built Buses is a leading manufacturer of school buses in North America. Since the first Thomas Built bus rolled off the assembly line, the company has been committed to delivering the smartest and most innovative buses in the industry. Each bus comes with thorough market expertise, an extensive dealer network and all the customer support, service and parts availability you need. To learn more or find a local dealer, visit [www.thomasbus.com](http://www.thomasbus.com).



Because every mile matters.™

1408 Courtesy Road, High Point, NC 27260    Tel 336.889.4871    Fax 336.889.2589    [thomasbus.com](http://thomasbus.com)

TBB/MC-B-071. Thomas Built Buses is registered to ISO 9001:2008 and ISO 14001:2004. Copyright © Daimler Trucks North America LLC. All rights reserved. Thomas Built Buses Inc., is a subsidiary of Daimler Trucks North America LLC, a Daimler company. CG 25M 10/11.